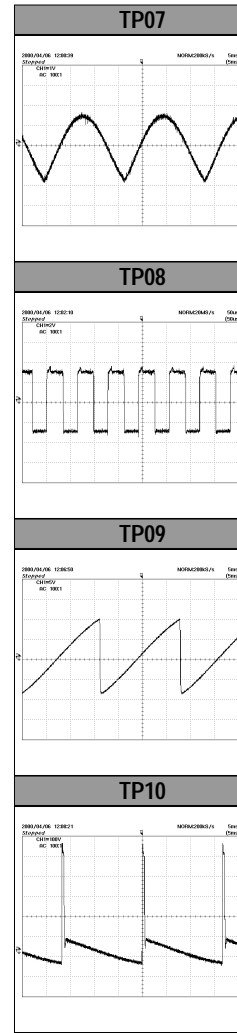
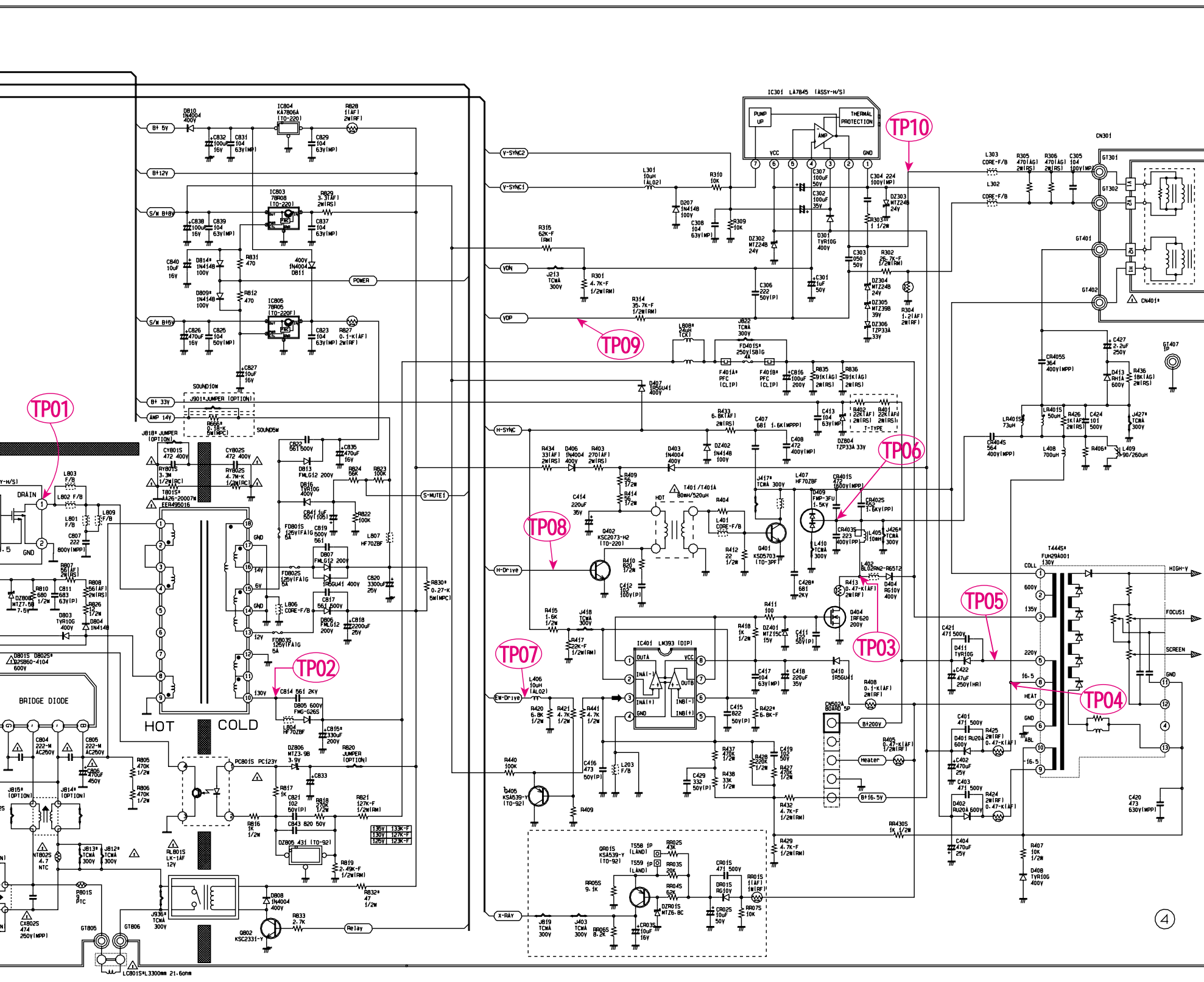
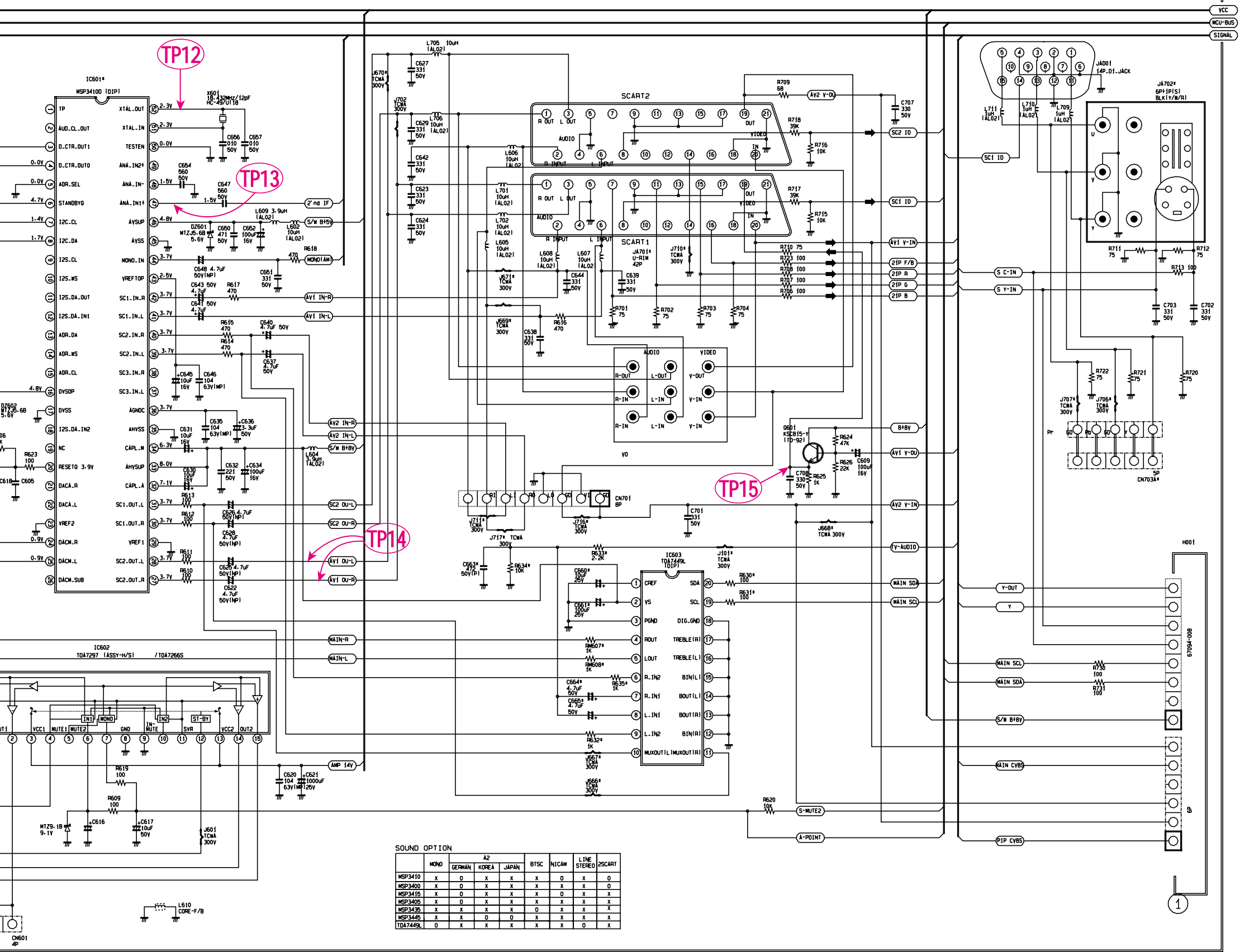


Schematics

(TH EW)

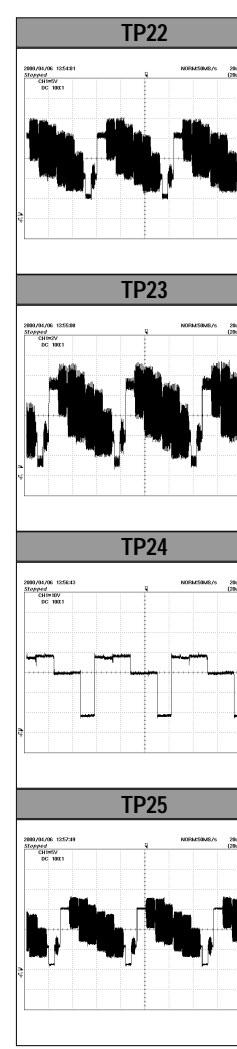
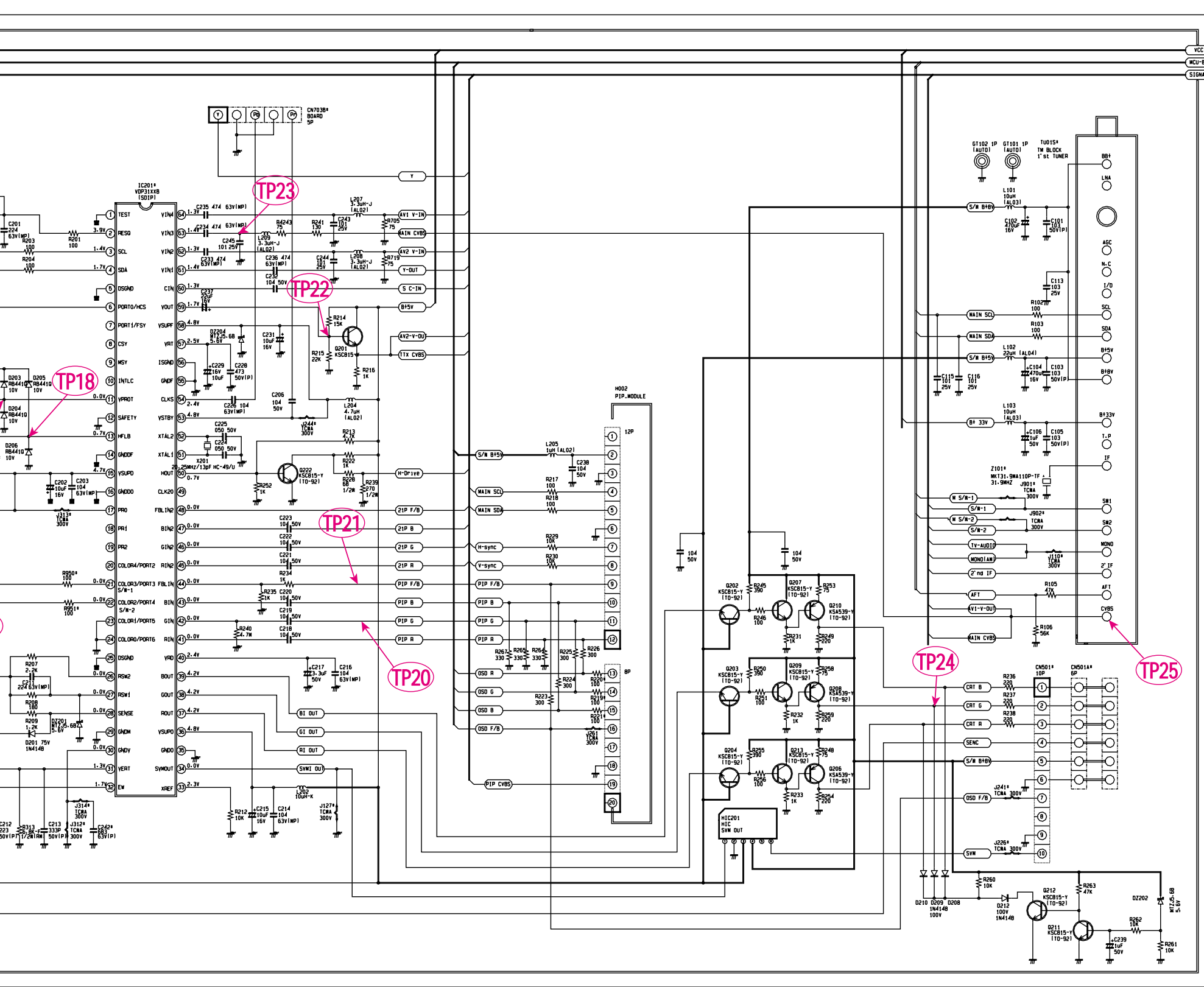


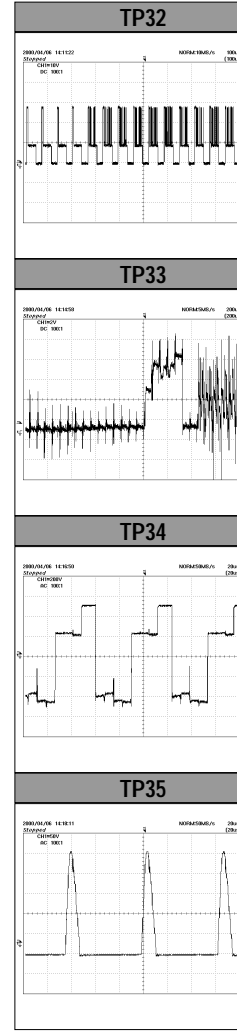
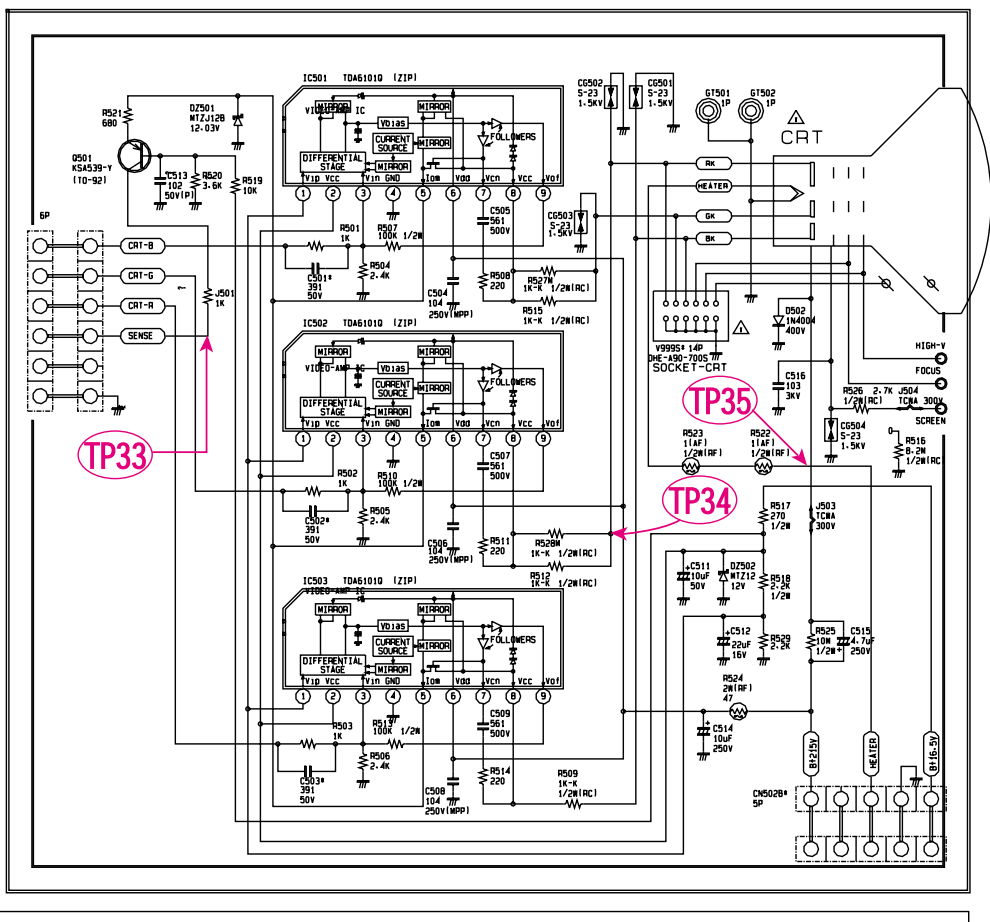
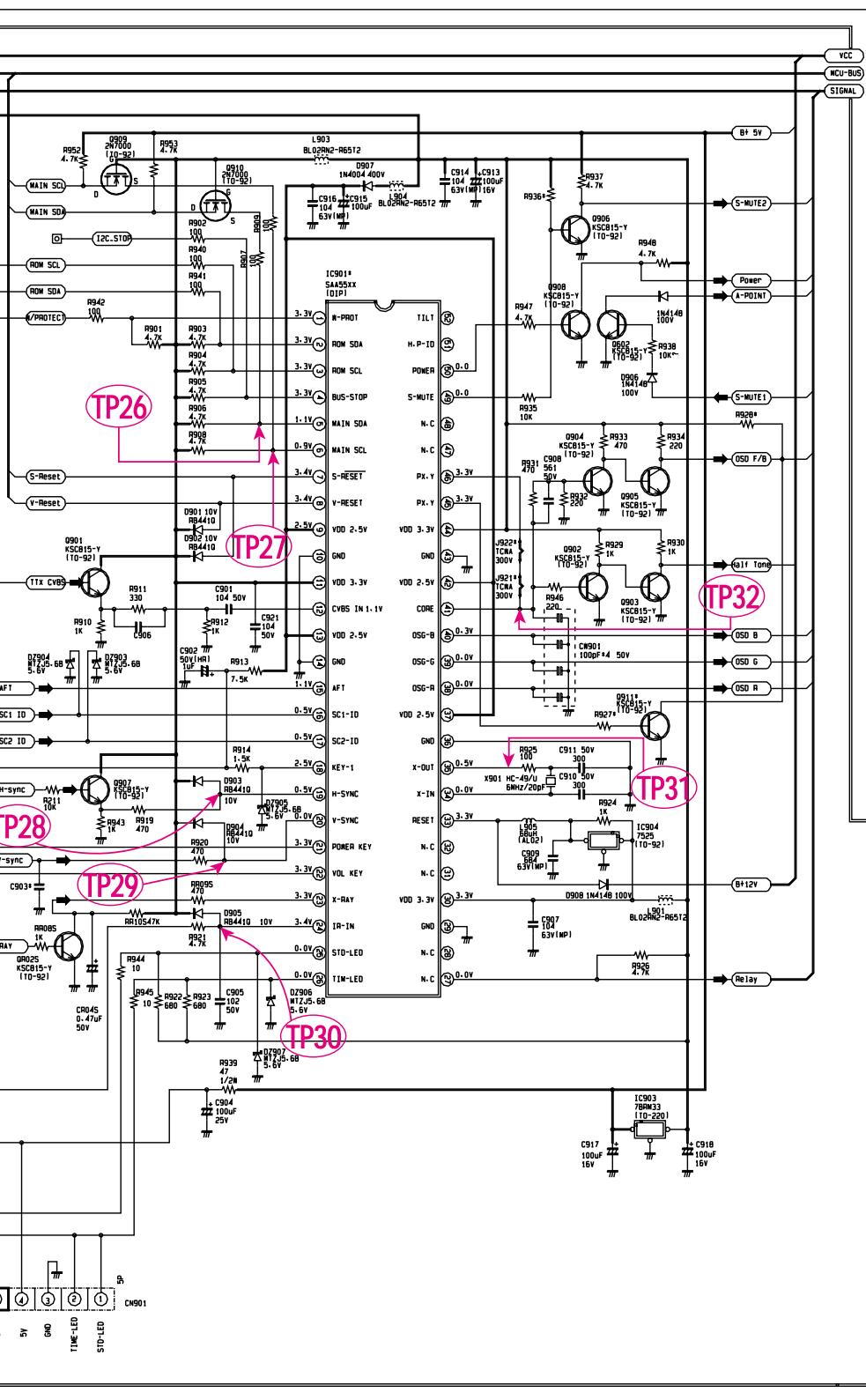
Power Line
Signal Line



SOUND OPTION

	MONO	A2			BTSC	NICAM	LINE STEREO	SCART1
		GERMAN	KOREA	JAPAN				
MSP3410	X	0	X	X	X	0	X	0
MSP3400	X	0	X	X	X	X	X	0
MSP3415	X	0	X	X	X	0	X	X
MSP3405	X	0	X	X	X	X	X	X
MSP3435	X	X	X	X	0	X	X	X
MSP3445	X	X	0	0	X	X	X	X
TDA7494	0	X	X	X	X	0	X	X





CAPACITOR

Ceramic - SL	NO MARK
Ceramic - RH	(RH)
Ceramic - CH	(CH)
Polyester (Induct)	(P)
Polyester (Noninduct)	(PN)
Polypropylene	(PP)
Metal Polyester	(MP)
M.P. Polypropylene	(MPP)
Tantalum	(T)
Non Polar	(NP)

- NOTE**
1. Resistance is shown in one K=1,000 M=1,000,000
 2. Unless otherwise noted in schematic all capacitor values less than 1 are expressed in μ F, and the values more than 1 in μ F.
 3. Unless otherwise noted in schematic all inductor values more than 1 are expressed in μ H.
 4. Voltage read with v.t.v.m (input impedance ≥ 10 M Ω) range! from point indicated to chassis ground using a color bar signal with all control at normal line voltage 120 volts.
 5. Waveforms in chrominance circuit are taken receiving a color bar signal with enough sensitivity.
 6. Waveforms in other circuit are taken using a signal under normal receiving conditions.
 7. Voltage readings shown are normal values and may vary 20% except h.v.
 8. This is fundamental circuit diagram some production changes may be made without revision of the diagram.
 9. The circuits enclosed in dotted lines are optional parts. (A)

RESISTOR

Carbon	NO MARK
Composition	(RC)
Metal Oxide	(RS)
Metal Film	(RM)
Fusible	(RF)
Cement Wire	(RW)
Network	(RN)

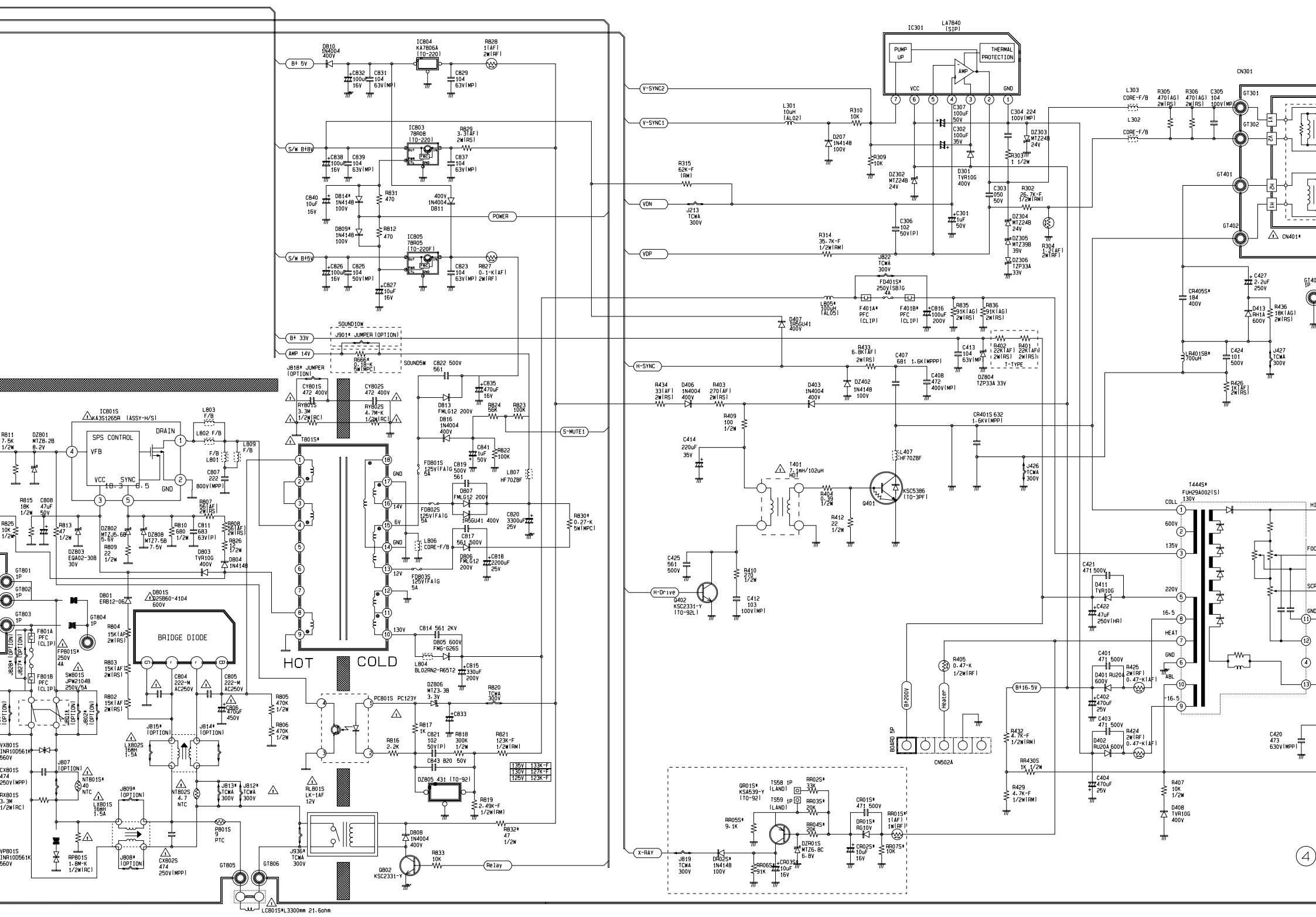
WARNING: BEFORE SERVICING THIS CHASSIS READ THE 'X-RAY RADIATION PRECAUTION', 'SAFETY PRECAUTION' AND 'PRODUCT SAFETY NOTICE' IN MANUAL.

CAUTION: The shaded area in the schematic diagram and the parts list designate components which have special characteristics important for safety and should be replaced only with types identical to those in the original circuit of specified in the parts list. Before replacing any of these components, read carefully the PRODUCT SAFETY NOTICE in this manual. Do not degrade the safety of the receiver through improper servicing.

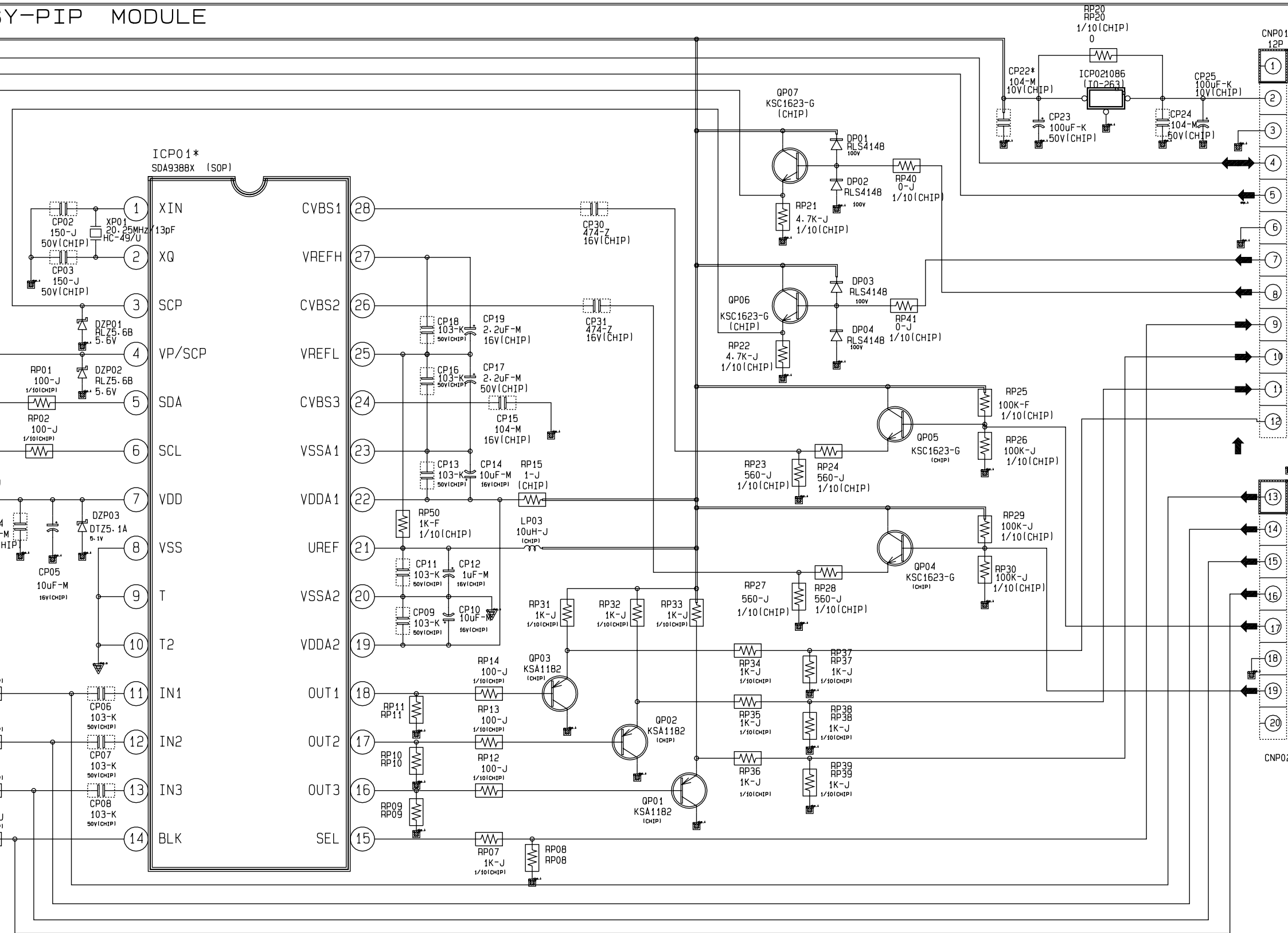
— : Power Line
 — : Signal Line

EW)

CHASSIS : KS2A



Y-PIP MODULE



H

